



# Centers for Medicare & Medicaid Services

Federally Facilitated Marketplace

## EDGE Server Operations and Maintenance Manual (O&MM)

---

Version 1.5  
October 20, 2014

---

# Contents

1	Introduction .....	3
2	Referenced Documents .....	4
3	System Overview .....	5
3.1	Functional System Overview .....	5
3.1.1	System Overview.....	6
3.1.2	Architecture .....	6
3.1.3	System Software Specifications .....	8
3.1.4	Application Users.....	9
3.1.5	Application Directories .....	9
3.1.6	Application Binary Files .....	10
3.2	EDGE Server Application.....	14
3.3	Data Submission Process Overview .....	14
3.3.1	Data Flow Diagram.....	15
3.3.2	Data Model .....	17
3.3.3	Data Dictionary .....	17
3.3.4	CRON Job .....	17
3.3.5	Batch Processing.....	17
3.3.6	Reporting.....	18
3.3.7	Key Contacts .....	19
3.3.8	Data Dictionary and Data Model.....	19
4	Maintenance and Operations .....	20
4.1	Application Informational and Error Logging .....	20
4.1.1	Application Information Logging .....	20
4.1.2	File Ingest Errors .....	20
5	Operation Procedures.....	21
5.1	Backup Procedures.....	21
5.2	Disaster Recovery.....	21
	Appendix A: Enrollee File Ingest Job Informational and Error Messages .....	22
	Appendix B: Pharmacy File Ingest Error Messages.....	23
	Appendix C: Supplemental File Ingest Informational and Error Messages .....	25
	Appendix D: Medical File Ingest Informational and Error Messages.....	27

---

## Figures

Figure 3-1: AWS EDGE Server Data Flow .....	6
Figure 3-2: On-Premise EDGE Server Data Flow .....	7
Figure 3-3: AWS EDGE Server Data Flow Diagram .....	15
Figure 3-4: On-Premise EDGE Server Data Flow Diagram .....	16

## Tables

Table 3-1: Software Stack .....	8
Table 3-2: EDGE Server Application Users .....	9
Table 3-3: Application Directories .....	9
Table 3-4: Binary Files .....	11
Table 3-5: EDGE Server Application Command .....	14
Table 3-6: CRON Jobs .....	17
Table 3-7: Batch Jobs .....	17
Table 3-8: EDGE Server Reports .....	18
Table 3-9: Key Contacts .....	19
Table 5-1: Disaster Recovery Responsibilities .....	21

---

# 1 Introduction

The External Data Gathering Environment (EDGE) application is a component of the Financial Management (FM) module within the Federally-facilitated Marketplace (FFM). The application consists of the several modules, described below, to collect Issuer-related plan and benefits information.

The purpose of the EDGE Server Operations and Maintenance Manual (O&MM) is to provide the information necessary to operate and maintain this Web and Excel template-based software application and its associated hardware.

---

## 2 Referenced Documents

The following list of documents should be referenced as supporting documentation for the EDGE Server O&MM:

EDGE server job aid documentation in the Registration for Technical Assistance Portal (REGTAP) Library:

- Requesting an AWS Instance
- On-Premise EDGE Server Set Up
- AWS Account Set Up
- EDGE Server Registration
- Amazon EDGE Server Provisioning
- Amazon EDGE Server File Processing Email Notification
- Amazon EDGE Server File Ingest
- EDGE Server System Updates & Release Management
- Amazon EDGE Server Backup, Data Retention & Recovery
- Amazon EDGE Server Host Change
- On-Premise EDGE Server Backup, Data Retention & Recovery
- EDGE Server Size Upgrades

Note: Some of these job aids have not yet been uploaded to REGTAP.

---

## 3 System Overview

### 3.1 Functional System Overview

This section provides an overview to the application and modules addressed in this O&MM. The EDGE application supports two (2) issuer scenarios. The first scenario is the automated provisioning of the issuer EDGE server in the Amazon Web Services (AWS) environment. The second scenario is an issuer EDGE server hosted solution. The EDGE application consists of the following modules, described below:

File Ingest Jobs – The file ingest job processes four (4) different types of files provided by the issuer. These files are:

- EDGE Server Enrollment Submission (ESES)
- EDGE Server Medical Claims Submission (ESMCS)
- EDGE Server Pharmacy Claims Submission (ESPCS)
- EDGE Server Supplemental Diagnosis File Submission (ESSFS)

Each file will be validated according to the field level business rules outlined in this document and only successfully validated records will be loaded to the database. Any records that fail validation are not loaded to the database; however the errors are logged and included in the output reports.

The data from processing these files will be used to evaluate and perform Risk Adjustment (RA) and Reinsurance (RI) calculations for issuers and other Stakeholders.

After the initial provisioning has completed, additional version updates will become available that will need to be applied to each issuer's server. The following updates may be applied in the future:

- EDGE server application updates
- MySQL database updates
- Reference table updates
- Operating system (OS) updates

This file ingestion process will execute automatically for the EDGE application and reference data updates that must be on the latest version in order to have accurate claims processing. OS and database updates, however, will be initially configured to require the Database Administrator to run the update command as they are made available. If desired, these updates can be configured, via the EDGE properties file, to be applied automatically by enabling "auto-update" mode. For each update processed, the update type (OS, DB, application, reference data), date, completion status (successful / error), and issuer for which the update was made will be logged on the management console database.

### 3.1.1 System Overview

This section provides an overview of the AWS and On-Premise (OP) infrastructure and architecture for the issuer EDGE server application.

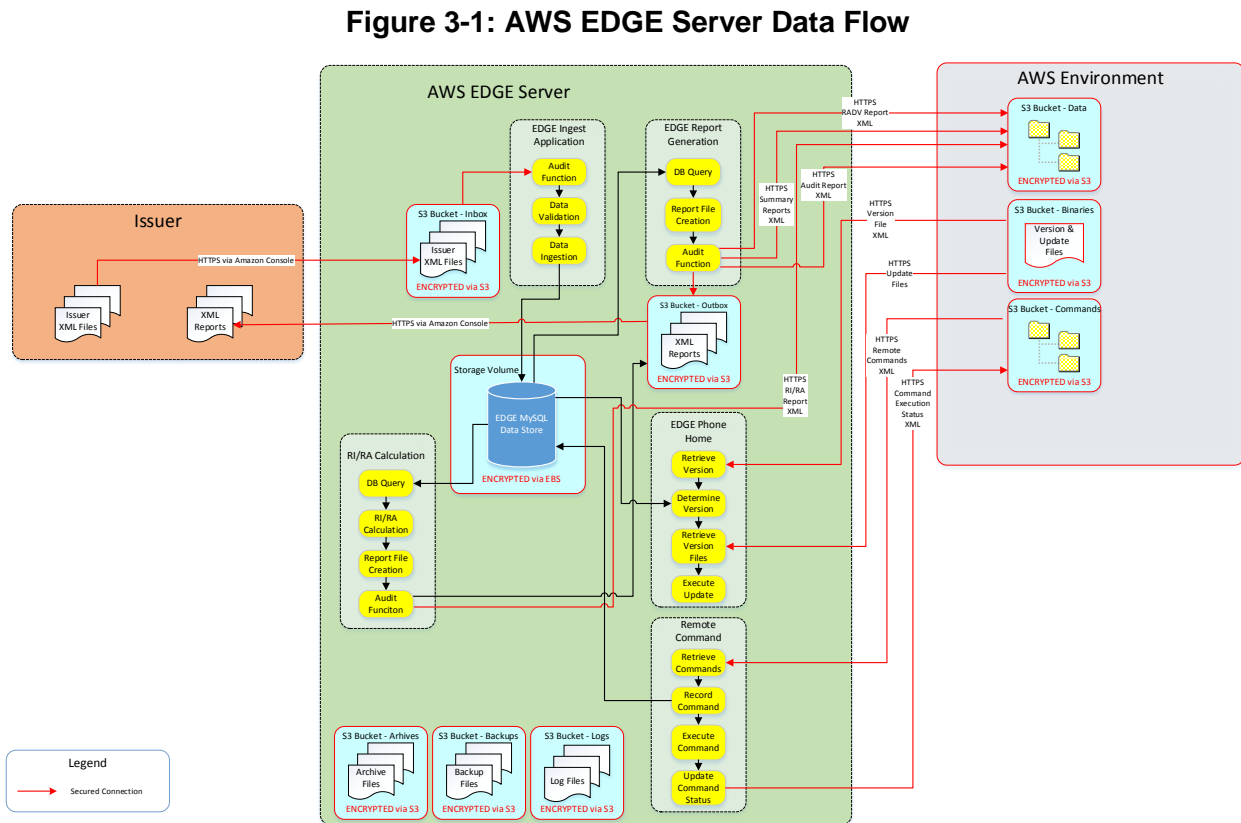
As mentioned earlier, the issuer EDGE server solution supports two (2) scenarios. The first scenario is the issuer EDGE server hosted in an AWS environment. The second scenario is the OP EDGE server, in which the EDGEs is hosted by the issuer.

### 3.1.2 Architecture

Although the EDGE server solution supports an AWS and OP scenario, the code base used in both solutions are the same. The configurations are slightly different to accommodate the implementation of the EDGE server in AWS or at the issuer's data center.

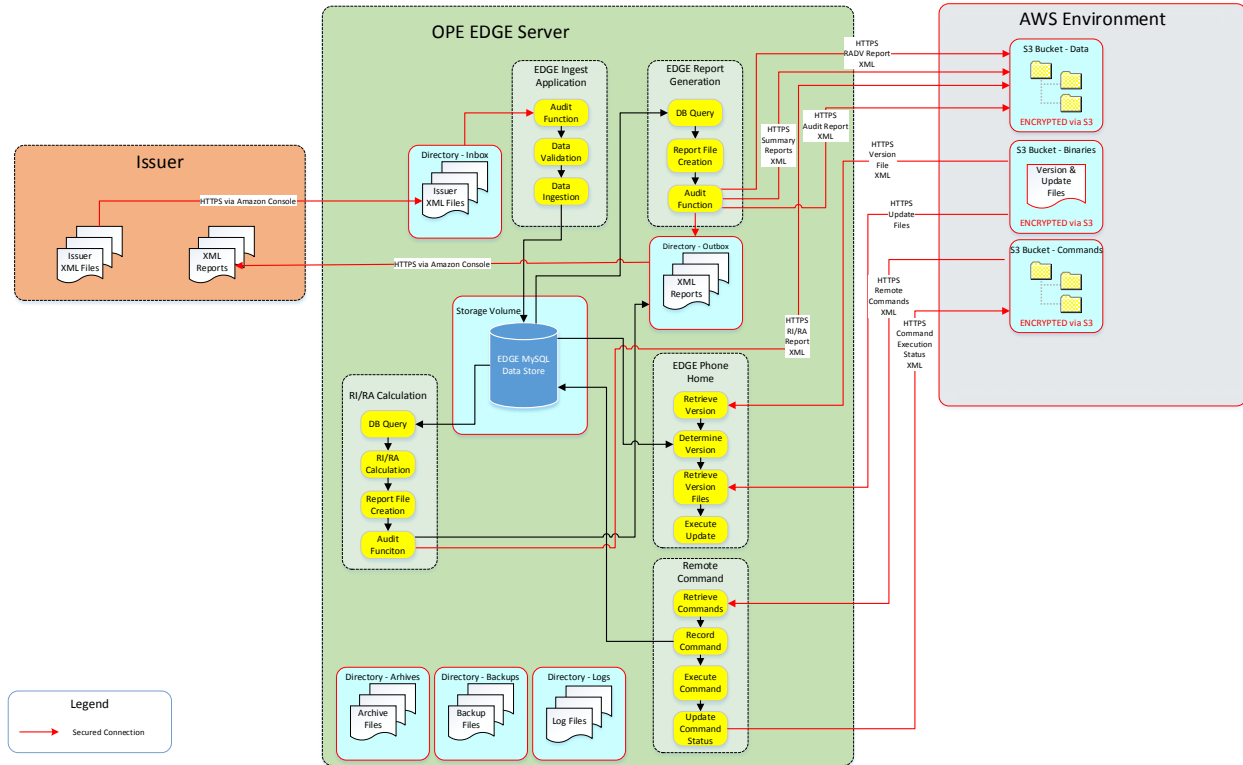
The figure below displays the logical flow of the EDGE server components in AWS after the issuer EDGE server has been deployed. The file ingestion flow starts when the issuer securely uploads their XML data files to the EDGE server. The following actions will occur:

- Validation and processing of the input data file
- Creation of summarized and detailed XML reports for review by the issuers
- Summarized XML reports are securely sent to the AWS Data S3 bucket, where they are retrieved by the EDGE File Sweep batch.



The figure below displays the logical flow of the EDGE server components in the OP scenario after the issuer EDGE server has been deployed. It is nearly identical to the EDGE solution in AWS except that the EDGE server is located in an issuer controlled environment and that the OP server directories are located locally.

**Figure 3-2: On-Premise EDGE Server Data Flow**





---

### 3.1.3 System Software Specifications

The EDGE server is deployed in either AWS or hosted OP. The EDGE solution is a custom built application that combines open-source software with custom objects. Table 3-1 below provides an overview of the EDGE server software components:

**Table 3-1: Software Stack**

Area	Vendor	Product
Common Services (afpj-common is used for exception handling)	CAN	afpj-common.jar
Batch	SpringSource	Spring Batch
Dependency Injection	SpringSource	Spring Framework
Security	SpringSource	Spring Security
Java	Oracle	JRE/JDK
Persistence	SpringSource	Spring JDBC
Database	MySQL	MySQL (EDGE)
Web Server	Apache	Tomcat
MVC	SpringSource	MVC
Amazon Cloud API	Amazon	AWS Java API
EDGE Operating System	Red Hat	Red Hat Enterprise

---

### 3.1.4 Application Users

The table below describes the users that the EDGE application utilizes.

**Table 3-2: EDGE Server Application Users**

Application ID	Scenario	Description
edgedbuser	AWS & OP	EDGE Server MySQL DB user
Ec2-user	AWS	EDGE Server Application ID User

### 3.1.5 Application Directories

The following directories are used by the EDGE server application.

**Table 3-3: Application Directories**

Directory	Description
/opt/edge	Parent EDGE server application directory
/opt/edge/bin	Contains EDGE server binaries
/opt/edge/config	Contains EDGE server application configuration files
/opt/edge/ingest	Parent directory for the ingest application
/opt/edge/ingest/appdata	Contains EDGE server application data
/opt/edge/ingest/archives	Contains EDGE server archival files
/opt/edge/ingest/archives/accepted	Contains issuer data files that have been processed
/opt/edge/ingest/archives/rejected	Contains issuer data files that have been rejected due to data issues
/opt/edge/ingest/inbox	Directory where issuers post their Enrollment, Medical, Pharmacy and Supplemental data files
/opt/edge/ingest/logs	Contains EDGE server application log files
/opt/edge/ingest/outbox/cms	Contains summary report files that will be sent to CMS

---

**Table 3-3: Application Directories, continued**

Directory	Description
/opt/edge/ingest/outbox/issuer	Contains detailed and summary report files for the issuers
/opt/edge/update	Parent directory for EDGE server application update files
/opt/edge/update/app	Contains EDGE server application update files
/opt/edge/update/config	Contains EDGE server configuration files
/opt/edge/update/db	Contains EDGE server database update files
/opt/edge/update/db/common	Contains EDGE server database common SQL statements for performing the DB updates
/opt/edge/update/db/issuer	Contains EDGE server issuer specific database SQL statements
/opt/edge/update/lib	Contains updated library files used by the EDGE server application
/opt/edge/update/scripts	Contains EDGE server scripts
/opt/edge/update/sql	Contains EDGE server SQL scripts
/opt/edge/lib	Contains library files used by the EDGE server application

### 3.1.6 Application Binary Files

The table below lists and describes the binary files used by the EDGE server. The list also lists the location of the binary files. These files are installed during the deployment of an AWS EDGE server or manually installed during an OP EDGE server deployment. Please note that the location information in the table below is for the AWS EDGE server scenario. The location of the OP EDGE server scenario will be different. Please consult your local IT team who performed the OP EDGE server installation for the binary file location.

**Table 3-4: Binary Files**

Binary Name	Description
afpj-common-6.5.0.jar	Accenture federal framework
annox-0.5.0.jar	Java extension contains annotations from XML
aopalliance-1.0.jar	Aspect orient programing (AOP) open sources library
aws-java-sdk-1.7.11.jar	Amazon java library to access amazon web service resources
bsh-2.0b4.jar	BeanShell library for dynamic execution of java syntax
cglib-nodep-2.2.2.jar	AOP Support library
classmate-1.0.0.jar	Generic type declarations
commons-beanutils-1.9.1.jar	Java common bean utils
commons-codec-1.3.jar	Java based encode and decode library
commons-collections-3.2.1.jar	Java collection library contains iterators, maps, list and array collections
commons-configuration-1.7.jar	Java common configuration handling components
commons-dbc-1.4.jar	Java common database components
commons-digester-1.8.1.jar	Java common XML digester classes
commons-io-2.4.jar	Java common file IO classes
commons-lang-2.3.jar	Java common objects classes
commons-logging-1.1.1.jar	Java common logging framework
commons-pool-1.5.4.jar	Java common connection pool classes
edge-server-application.jar	EDGEApplication binaries, contains EDGE batch processes
gson-2.2.4.jar	Google library to parse JSON objects
guava-17.0.jar	Guava library contain google collection, caching and concurrency. Used by gson library.
hamcrest-core-1.3.jar	Library of match objects used by other frameworks
hibernate-validator-5.1.0.Final.jar	Hibernate validator library
hibernate-validator-cdi-5.1.0.Final.jar	Hibernate validator library
hsqldb-1.8.0.7.jar	Hyper SQL library, used for execute queries against relational database
httpclient-4.2.jar	Java HTTP client library
httpcore-4.2.jar	Java HTTP core library
jackson-annotations-2.1.1.jar	Jackson library for XML parsing
jackson-core-2.1.1.jar	Jackson library for XML parsing

**Table 3-4: Binary Files, continued**

Binary Name	Description
jackson-databind-2.1.1.jar	Jackson XML library, to build XML to java objects
javassist-3.18.1-GA.jar	Java assist provides basic java class objects
javax.el-2.2.4.jar	Java extension for Expression Language, supports for JSP and JSF
javax.el-api-2.2.4.jar	Java extension for Expression Language, supports for JSP and JSF
jaxb2-basics-0.6.3.jar	XML Schema compiler
jaxb2-basics-annotate-0.6.3.jar	XML Schema compiler using annotations
jaxb2-basics-runtime-0.6.3.jar	XML Schema compiler runtime
jaxb2-basics-tools-0.6.3.jar	XML Schema compiler tools
jboss-logging-3.1.3.GA.jar	Jboss logging framework
jcommander-1.27.jar	Command line parameter parser framework
jettison-1.1.jar	Java API for DOM and STaX parsing
joda-time-2.4.jar	Joda time a replacement for native java date time object
junit-4.11.jar	Junit framework for unit testing
liquibase-core-3.2.2.jar	Liquibase used for database change log and database schema maintenance
log4j-1.2.12.jar	Log4j library for logging
log4j-over-slf4j-1.7.7.jar	Log4j library for logging
logback-classic-1.1.2.jar	Logback logging framework
logback-core-1.1.2.jar	Logback logging framework
mysql-connector-java-5.1.30.jar	MySQL connection/driver classes
objenesis-1.3.jar	Objenesis framework to invoke methods using reflection
slf4j-api-1.7.6.jar	Simple logging façade used for logging
slf4j-simple-1.7.6.jar	Simple logging façade used for logging
snakeyaml-1.13.jar	YAML parser
spring-aop-4.0.3.RELEASE.jar	Spring aspect oriented programming framework components
spring-batch-core-2.2.5.RELEASE.jar	Spring batch framework components
spring-batch-infrastructure-2.2.5.RELEASE.jar	Spring batch framework components
spring-beans-4.0.3.RELEASE.jar	Spring framework for bean definition

**Table 3-4: Binary Files, continued**

Binary Name	Description
spring-context-4.0.3.RELEASE.jar	Spring framework context management objects
snakeyaml-1.13.jar	YAML parser
spring-aop-4.0.3.RELEASE.jar	Spring aspect oriented programming framework components
spring-batch-core-2.2.5.RELEASE.jar	Spring batch framework components
spring-batch-infrastructure-2.2.5.RELEASE.jar	Spring batch framework components
spring-beans-4.0.3.RELEASE.jar	Spring framework for bean definition
spring-context-4.0.3.RELEASE.jar	Spring framework context management objects
spring-context-support-4.0.3.RELEASE.jar	Spring framework context management objects
spring-core-4.0.3.RELEASE.jar	Spring framework core components
spring-expression-4.0.3.RELEASE.jar	Spring framework expression components
spring-jdbc-4.0.3.RELEASE.jar	Spring framework JDBC objects for database operations
spring-oxm-4.0.3.RELEASE.jar	Spring framework XML to object mapping classes
spring-retry-1.0.2.RELEASE.jar	Spring framework batch component
spring-test-4.0.3.RELEASE.jar	Spring testing framework
spring-tx-4.0.3.RELEASE.jar	Spring framework transaction management classes
testng-6.8.7.jar	Testing framework for unit testing
tomcat-jdbc-7.0.53.jar	Tomcat framework for jdbc operations
tomcat-juli-7.0.53.jar	Tomcat framework objects
validation-api-1.1.0.Final.jar	Validation framework for XML
xpp3_min-1.1.4c.jar	XML publish library
xstream-1.3.jar	XML streaming library

---

## 3.2 EDGE Server Application

Table 3-5: EDGE Server Application Command

Command	Variable	Description
EDGE	Help	Displays the EDGE application commands
EDGE	Version	Displays the current version of the EDGE server application
EDGE	Ingest	Starts the job of processing the Medical, Enrollment, Pharmaceutical or Supplemental data files dropped in the EDGE server Inbox directory/AWS S3
EDGE	Queue	Displays the list of commands to be executed in the command queue

## 3.3 Data Submission Process Overview

The EDGE server data submission process is identical in both the AWS and OP EDGE server scenarios. Issuer's data will be submitted to the EDGE servers by placing one (1) or more of the following file types in the Inbox S3 bucket or directory depending on the EDGE server scenario:

- EDGE Server Enrollment Submission (ESES)
- EDGE Server Medicals Claims Submission (ESMCS)
- EDGE Server Pharmacy Claims Submission (ESPCS)
- EDGE Server Supplemental Diagnosis File Submission (ESSFS)

### 3.3.1 Data Flow Diagram

The following figures display the two (2) EDGE server scenarios.

Figure 3-3: AWS EDGE Server Data Flow Diagram

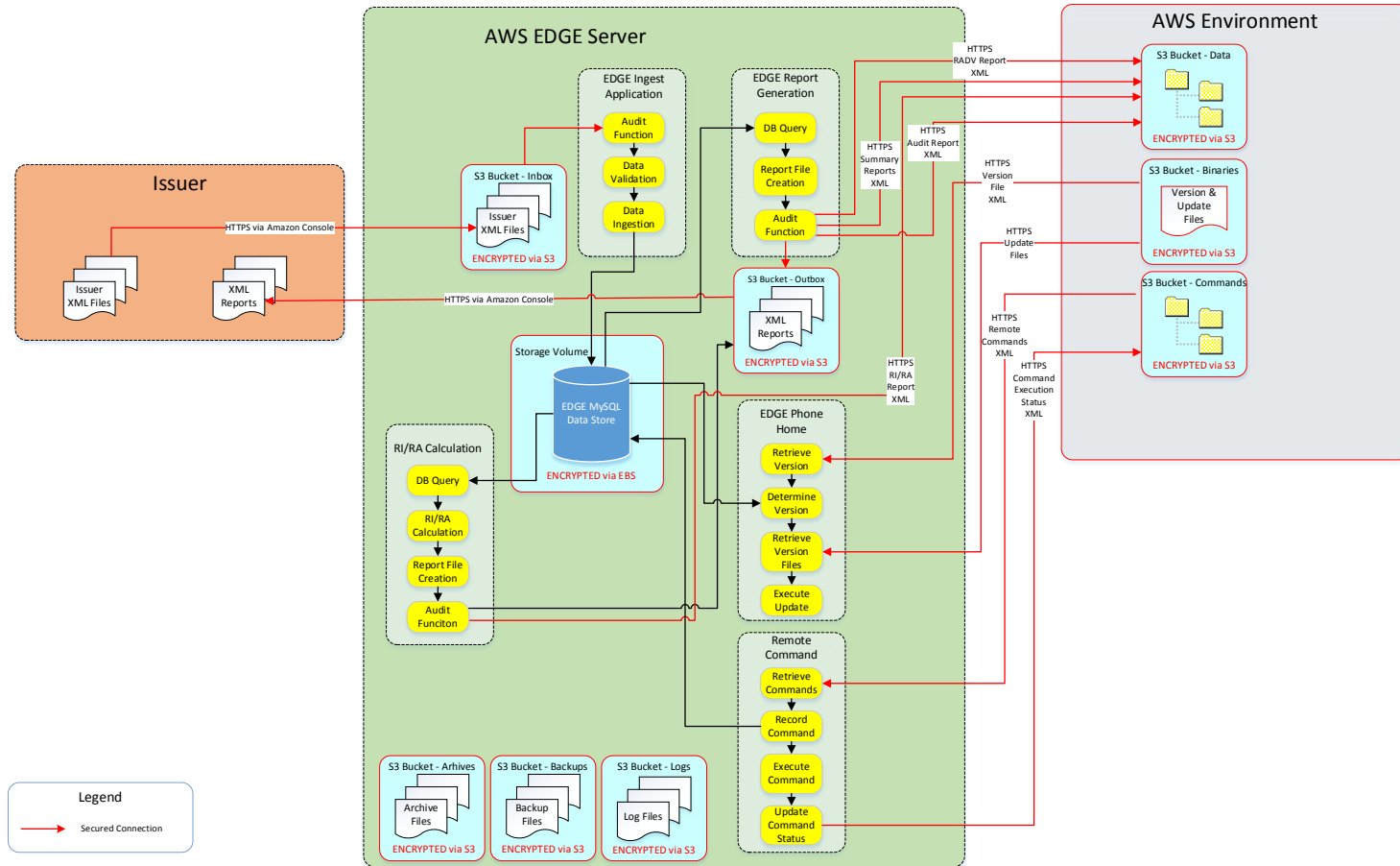
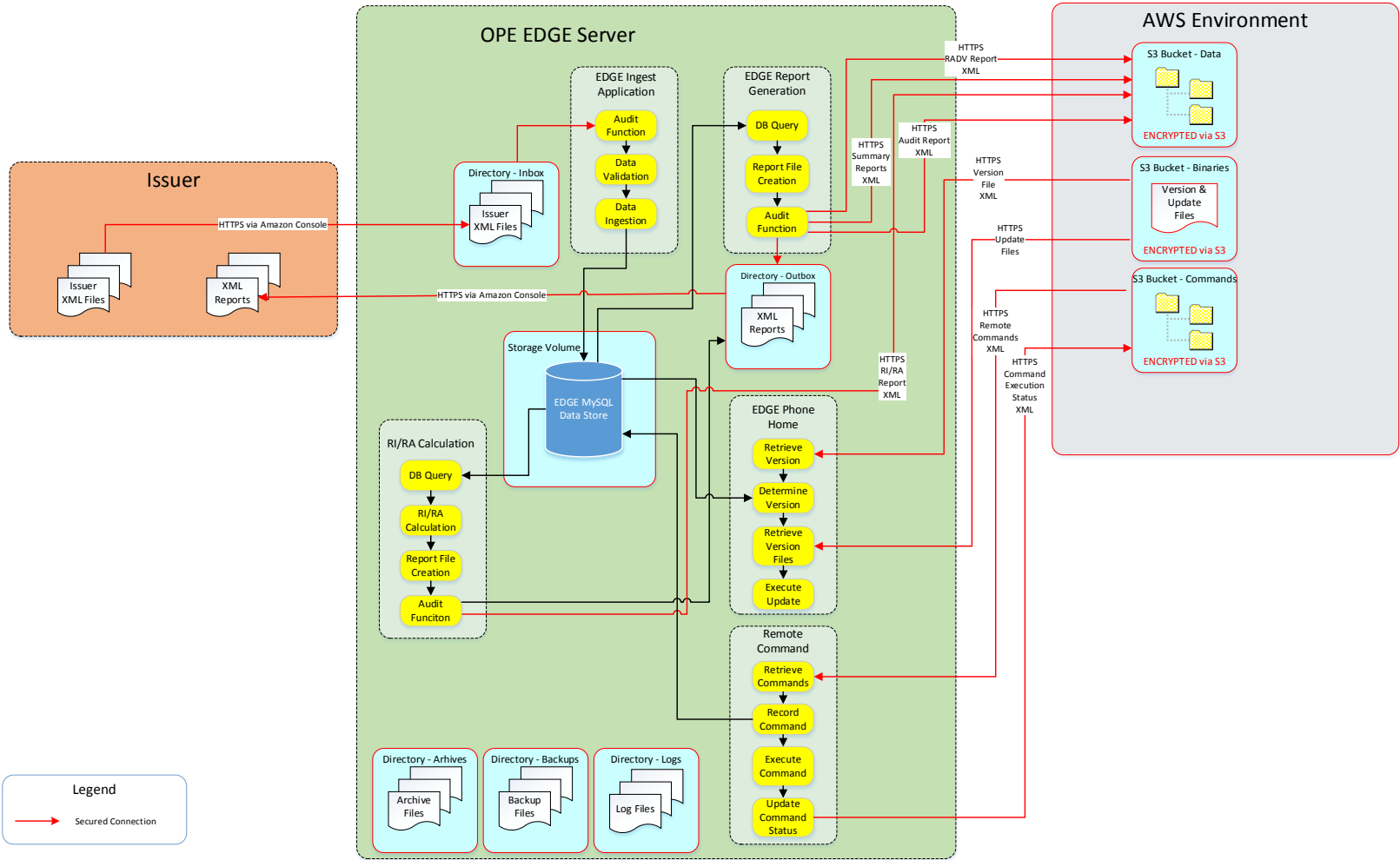




Figure 3-4: On-Premise EDGE Server Data Flow Diagram



---

### 3.3.2 Data Model

The EDGE server data model details are documented in the EDGE Server Data Model document.

### 3.3.3 Data Dictionary

The EDGE server data model details are documented in the EDGE Server Data Model document.

### 3.3.4 CRON Job

Currently there is one (1) application that is executed by the CRON scheduler. Future functionality needing CRON jobs will be documented in this table.

**Table 3-6: CRON Jobs**

Application Name	Schedule	Description
Inbox Poll	Every five (5) minutes (Default setting)	Polls the EDGE Server Inbox for issuer XML files to process. This application also executes the appropriate batch job depending on the data file retrieved from the EDGE Server Inbox.

The scheduled execution of this CRON job can be modified. The CRON job can be turned off at the discretion of the issuer's Operations team. If this CRON job is turned off then the issuer data will need to be processed manually by executing the EDGE command job detailed in Section 3.2.

### 3.3.5 Batch Processing

Batch jobs are created to serve a multitude of purposes within Plan Management. The table below lists the batch jobs currently supporting the following types of activities:

**Table 3-7: Batch Jobs**

Batch Job Name	Schedule	Description
Enrollment-job	Ad Hoc	Executed by the EDGE application to process an Enrollment file in the EDGE Server Inbox
Medical-job	Ad Hoc	Executed by the EDGE application to process an Medical file in the EDGE Server Inbox
Pharmacy-job	Ad Hoc	Executed by the EDGE application to process an Pharmacy file in the EDGE Server Inbox
Supplemental-job	Ad Hoc	Executed by the EDGE application to process an Supplemental file in the EDGE Server Inbox

---

### 3.3.6 Reporting

When the automated file ingestion is executed it will create a set of detailed and summary XML reports in the Outbox directory/AWS S3 bucket. The table below displays the information for each report.

**Table 3-8: EDGE Server Reports**

<b>Report Name</b>	<b>Description</b>	<b>Distribution</b>	<b>Format</b>	<b>Frequency</b>
EDGE Server File Accept – Reject Report for Enrollee, Medical, Pharmacy and Supplemental	Contains the file header level accept or reject decision with the associated error message.	Issuer CMS	XML	Per file processed
EDGE Server Enrollment Summary Accept – Reject Report	Contains summary error counts for each enrollment file processed and is used by CMS to track issuer progress and rejection rate.	Issuer CMS	XML	Per file processed
EDGE Server Medical Claim (MC) Summary Accept – Reject Report	Contains summary error counts for each medical claim file processed and is used by CMS to track issuer progress and rejection rate.	Issuer CMS	XML	Per file processed
EDGE Server Pharmacy (Rx) Summary Accept – Reject Report	Contains summary error counts for each pharmacy claim file processed and is used by CMS to track issuer progress and rejection rate.	Issuer CMS	XML	Per file processed
EDGE Server Supplemental Diagnosis Summary Accept – Reject Report	Contains summary error counts for each supplemental file processed and is used by CMS to track issuer progress and rejection rate.	Issuer CMS	XML	Per file processed
EDGE Server Medical Claim (MC) Detail Error Report	Contains the accept or reject details for each medical claim in the inbound file along with all errors identified for rejected records. Used by the issuer to identify error records so they can be re-processed.	Issuer	XML	Per file processed

**Table 3-8: EDGE Server Reports, continued**

<b>Report Name</b>	<b>Description</b>	<b>Distribution</b>	<b>Format</b>	<b>Frequency</b>
EDGE Server Pharmacy Claim (RxC) Detail Error Report	Contains the accept or reject details for each pharmacy claim in the inbound file along with all errors identified for rejected records. Used by the issuer to identify error records so they can be re-processed.	Issuer	XML	Per file processed
EDGE Server Enrollment Detail Error Report	Contains the accept or reject details for each enrollment record in the inbound file along with all errors identified for rejected records. Used by the issuer to identify error records so they can be re-processed.	Issuer	XML	Per file processed
EDGE Server Supplemental Diagnosis File Detail Error Report	Contains the accept or reject details for each supplemental record in the inbound file along with all errors identified for rejected records. Used by the issuer to identify error records so they can be re-processed.	Issuer	XML	Per inbound file processed

These reports will be deposited in the Outbox directory/AWS S3 bucket after the EDGE server application has completed processing the issuer data file.

### 3.3.7 Key Contacts

**Table 3-9: Key Contacts**

<b>Organization/Functional Area</b>	<b>Number</b>	<b>E-Mail</b>	<b>Hours of Operation</b>
Qu-Tech Support Desk	1-855-CMS-1515	CMS_FEPS@CMS.HHS.GOV	8 AM – 1 AM/365 days

### 3.3.8 Data Dictionary and Data Model

The Common and Production Data Dictionary and Data Models are available in the REGTAP Library as Supplemental Documents.

---

## 4 Maintenance and Operations

### 4.1 Application Informational and Error Logging

#### 4.1.1 Application Information Logging

Other than the OS logs located on the EDGE server, the EDGE server application logs application informational and error messages to the EDGE.log file located in the */opt/edge/logs* directory. The default configuration of the EDGE server is to have the EDGE server application to log only errors to the EDGE.log file. If the batch jobs are executed in debug mode, additional informational information will be logged to the EDGE.log file.

#### 4.1.2 File Ingest Errors

The EDGE server application will also log file processing errors in the MySQL EDGE\_ERROR\_LOG table on the EDGE server. The [EDGE Server Job Aid: EDGE Server File Ingest Error Codes](#) Excel file can be downloaded from the REGTAP site. This document describes the types of custom EDGE server error messages as well as why the error occurred.

---

## 5 Operation Procedures

This section describes the operational procedures that will be in place for the EDGE server application related to backup procedures and disaster recovery.

### 5.1 Backup Procedures

The operational support for both AWS and On-Premise EDGE servers are the responsibility of the issuer's operations teams. All database backups are the responsibility of the issuer's Operations team. A basic script to back up the entire EDGE server MySQL database server will be provided by the EDGE server application team. The responsibility of executing this simple script and placing the resulting backup file onto a safe repository is also the responsibility of the issuer's operations team.

Each issuer has the choice to use the CMS provided backup script. They may also incorporate their own backup processes.

### 5.2 Disaster Recovery

As stated previously, the issuer's operational team is responsible for the day-to-day maintenance of their EDGE server environment. The issuer's operations team will be responsible for the overall disaster recovery plan for the EDGE server environment. They will have the following responsibilities:

**Table 5-1: Disaster Recovery Responsibilities**

Task	Team	Description
Disaster recovery plan	Issuer Operation's Team	Create and maintain a disaster recovery process and procedures for restoring the EDGE server in case of catastrophic
Storing backup files	Issuer Operation's Team	Place backup files (e.g. application files, DB backup files, etc.) in accordance with the disaster recovery plan
Restore EDGE Server environment	Issuer Operation's Team EDGE Server Help Desk	The EDGE server Help Desk will only assist the issuer in provisioning or installing a new EDGE server in case of a catastrophic failure
Disaster Recovery Site, if applicable	Issuer Operation's Team	If applicable, the issuer's operational team will be responsible for maintaining an EDGE Server disaster recovery site as outlined by the Issuer's disaster recovery policies and procedures.

## Appendix A: Enrollee File Ingest Job Informational and Error Messages

Error Message	Error Description	Cause	Fix
Batch Current Version DO NOT MATCH with Latest Version, Aborting Enrollee JOB !!!!!	Logged and thrown If Remote Version does not match with the Latest Version available in S3, the Job aborts, with this message	Logged and thrown If Remote Version does not match with the Latest Version available in S3, the Job aborts, with this message	Version in the version.json file should match latest version of the application.
File name " + filename + " is not valid. Please correct the file name and resubmit	Invalid file name	Invalid file name	Fix the file name as per ICD
File " +filename + " does not exist	File does not exist in the specified Inbox	File does not exist in the specified Inbox	Put file in the specified Inbox
schema validation exception msg- ----->	Schema exception when inbound file fails schema validation. This msg is followed by the exception stack trace.	Schema exception when inbound file fails schema validation. This msg is followed by the exception stack trace.	Fix the file to comply against schema
File failed header validation, invalid file id, rejecting file	File header failed validation, file rejected	File header failed validation, file rejected	Fix the file header to be in accordance with XSD/ICD
FileNotFoundException from FileUtils...	File not found when uploading to CMS or Issuer	File not found when uploading to CMS or issuer	Check outbox
Exception from Az S3...	AWS Exception	AWS Exception	Ops involvement required

## Appendix B: Pharmacy File Ingest Error Messages

Error/Informational Message	Error/Information Description	Cause (Error)	Fix (Error)
Batch Current Version DO NOT MATCH with Latest Version, Aborting Enrollee JOB !!!!!	Logged and thrown If Remote Version does not match with the Latest Version available in S3, the Job aborts, with this message	Logged and thrown If Remote Version does not match with the Latest Version available in S3, the Job aborts, with this message	Version in version.json should match latest version
File name " + filename + " is not valid. Please correct the file name and resubmit	Invalid file name	Invalid file name	Fix the file name as per ICD
File " +filename + " does not exist	File does not exist in the specified Inbox	File does not exist in the specified Inbox	Put file in the specified Inbox
schema validation exception msg----->	Schema exception when inbound file fails schema validation. This msg is followed by the exception stack trace.	Schema exception when inbound file fails schema validation. This msg is followed by the exception stack trace.	Fix the file to comply against schema
File failed header validation, invalid file id, rejecting file	File header failed validation, file rejected	File header failed validation, file rejected	Fix the file header to be in accordance with XSD/ICD
Issuer is not valid	Issuer is not valid	Issuer is not valid	Provide valid issuer in file



**Table B: Pharmacy File Ingest Informational and Error Messages, continued**

<b>Error/Informational Message</b>	<b>Error/Information Description</b>	<b>Cause (Error)</b>	<b>Fix (Error)</b>
RecordID Error	Record ID error	Incorrect record ID in inbound file	Fix the record id and resubmit file
JOB ID is NULL---Aborting FAR REPORT generation step	Runtime error, no JOB ID, job aborted in this step	Runtime error, no JOB ID, job aborted in this step	Typically caused by missing file or header failure. Correct these.
every StngPhrmcySubmsn must be flagged a valid (1) or invalid (0)	The validation flag on this row in the staging table is invalid	System/Runtime error	Needs research by Ops team
FileNotFoundException from FileUtils...	File not found when uploading to CMS or Issuer	File not found when uploading to CMS or issuer	Check outbox
Exception from Az S3...	AWS Exception	AWS Exception	Ops involvement required

## Appendix C: Supplemental File Ingest Informational and Error Messages

Error/Informational Message	Error/Information Description	Cause (Error)	Fix (Error)
Batch Current Version DO NOT MATCH with Latest Version, Aborting Enrollee JOB !!!!!	Logged and thrown If Remote Version does not match with the Latest Version available in S3, the Job aborts, with this message	Logged and thrown If Remote Version does not match with the Latest Version available in S3, the Job aborts, with this message	Version in version.json should match latest version
File name " + filename + " is not valid. Please correct the file name and resubmit	Invalid file name	Invalid file name	Fix the file name as per ICD
File " +filename + " does not exist	File does not exist in the specified Inbox	File does not exist in the specified Inbox	Put file in the specified Inbox
schema validation exception msg----- -->	Schema exception when inbound file fails schema validation. This msg is followed by the exception stack trace.	Schema exception when inbound file fails schema validation. This msg is followed by the exception stack trace.	Fix the file to comply against schema
File failed header validation, invalid file id, rejecting file	File header failed validation, file rejected	File header failed validation, file rejected	Fix the file header to be in accordance with XSD/ICD
Issuer is not valid	Issuer is not valid	Issuer is not valid	Provide valid issuer in file

**Appendix C: Supplemental File Ingest Informational and Error Messages**

<b>Error/Informational Message</b>	<b>Error/Information Description</b>	<b>Cause (Error)</b>	<b>Fix (Error)</b>
JOB ID is NULL---Aborting FAR REPORT generation step	Runtime error, no JOB ID, job aborted in this step	Runtime error, no JOB ID, job aborted in this step	Typically caused by missing file or header failure. Correct these.
every StngSupplSubmsn must be flagged a valid (1) or invalid (0)	The validation flag on this row in the staging table is invalid	System/Runtime error	Needs research by Ops team
FileNotFoundException from FileUtils...	File not found when uploading to CMS or issuer	File not found when uploading to CMS or Issuer	Check outbox
Exception from Az S3...	AWS Exception	AWS Exception	Ops involvement required

## Appendix D: Medical File Ingest Informational and Error Messages

Error/Informational Message	Error/Information Description	Cause (Error)	Fix (Error)
Batch Current Version DO NOT MATCH with Latest Version, Aborting Enrollee JOB !!!!!	Logged and thrown If Remote Version does not match with the Latest Version available in S3, the Job aborts, with this message	Logged and thrown If Remote Version does not match with the Latest Version available in S3, the Job aborts, with this message	Version in version.json should match latest version
File name " + filename + " is not valid. Please correct the file name and resubmit	Invalid file name	Invalid file name	Fix the file name as per ICD
File " +filename + " does not exist	File does not exist in the specified Inbox	File does not exist in the specified Inbox	Put file in the specified Inbox
schema validation exception msg----- -->	Schema exception when inbound file fails schema validation. This msg is followed by the exception stack trace.	Schema exception when inbound file fails schema validation. This msg is followed by the exception stack trace.	Fix the file to comply against schema
File failed header validation, invalid file id, rejecting file	File header failed validation, file rejected	File header failed validation, file rejected	Fix the file header to be in accordance with XSD/ICD
Issuer is not valid	Issuer is not valid	Issuer is not valid	Provide valid issuer in file
RecordID Error	Error in record IDs	Error in record IDs	Fix the record IDs in the file

**Appendix D: Medical File Ingest Informational and Error Messages**

<b>Error/Informational Message</b>	<b>Error/Information Description</b>	<b>Cause (Error)</b>	<b>Fix (Error)</b>
JOB ID is NULL---Aborting FAR REPORT generation step	Runtime error, no JOB ID, job aborted in this step	Runtime error, no JOB ID, job aborted in this step	Typically caused by missing file or header failure. Correct these.
every StngMdclSubmsn must be flagged a valid (1) or invalid (0)	The validation flag on this row in the staging table is invalid	System/Runtime error	Needs research by Ops team
No active claim found for claim family XXX	No active claim found when void/replace indicator is populated	No active claim found when void/replace indicator is populated	Examine file and provide the correct original claim ID
FileNotFoundException from FileUtils...	File not found when uploading to CMS or Issuer	File not found when uploading to CMS or issuer	Check outbox
Exception from AWS S3...	AWS Exception	AWS Exception	Ops involvement required